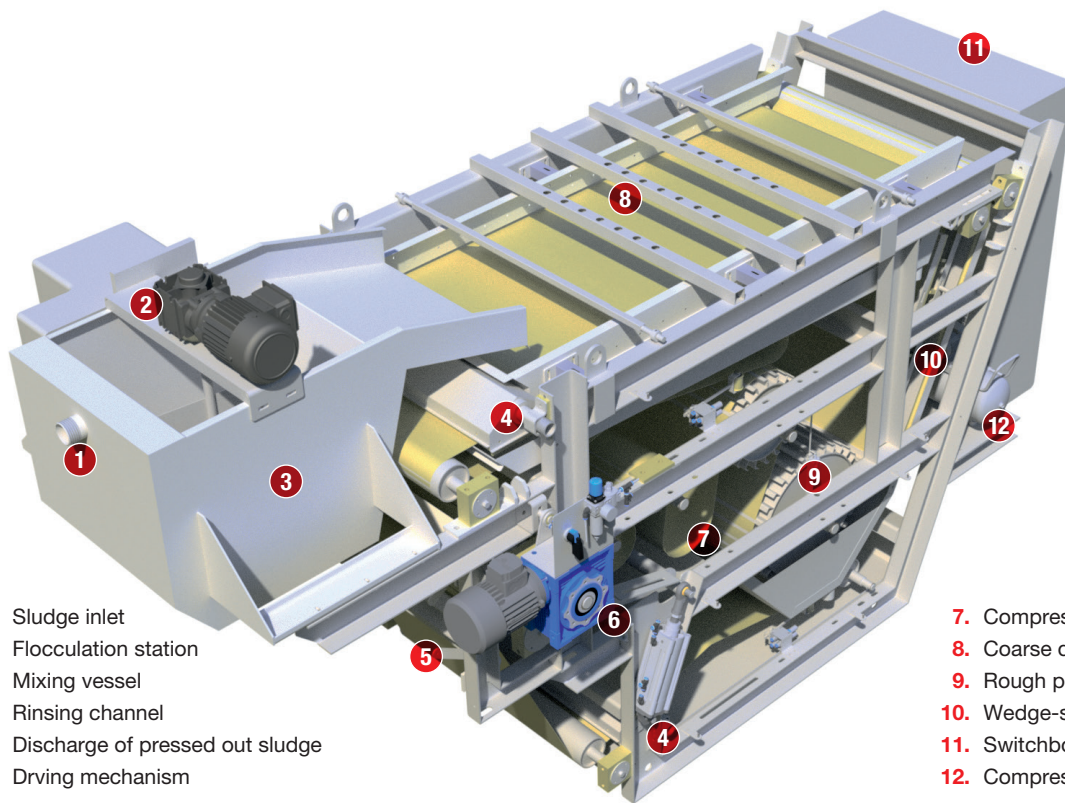


# CSP DEWATERING LINE

Screen belt press for dewatering  
of the water treatment plant  
and industrial sludges



- 1. Sludge inlet
- 2. Flocculation station
- 3. Mixing vessel
- 4. Rinsing channel
- 5. Discharge of pressed out sludge
- 6. Driving mechanism

- 7. Compression pressing
- 8. Coarse dewatering
- 9. Rough pressing
- 10. Wedge-shaped part
- 11. Switchboard
- 12. Compressor

# VODACZ

**OBTAINED DRY MATTER – HIGH DEWATERING PERCENTAGE** of the precipitated sludge is obtained by the machine by turning up the processed sludge using scarifiers in the machine gravity zone, by consequent compression between two screens in the equipment's wedge-shaped zone, and by final processing through the high-pressure cylinders. The obtained dry matter in the common anaerobically digested sludges is 28 – 45 % while, in the aerobically stabilized sludges:

Sludge loss by annealing in dry matter (%)	Inlet dose of flocculant (g·kg <sup>-1</sup> )	Sludge cake's dry matter (%)
By 50	3 – 5	26
50 – 60	5 – 7	22
Above 60	7 and more	15 – 20

### MATERIAL VERSION

- › stainless with a surface anticorrosion treatment
- › steel with a surface anticorrosion treatment
- › resistant plastics

### BENEFITS

- › integrated automatic flocculant dosing station
- › switchboard is a part of the dewatering line
- › GSM fault messages
- › special mount of bearings for long service life
- › transparent guarding
- › automatic washing at the end of pressing process

### OPTIONAL ACCESSORIES

- › sludge pumps
- › high pressure washing water pumps
- › washing water filters
- › belt or worm conveyors
- › flocculation station
- › sludge containers
- › inductive flow meters

### OFFER

Type	Output (m <sup>3</sup> ·h <sup>-1</sup> )	El. input (kW)	Dimensions W x L x H (mm)	Belt working width (mm)	Weight (t)
CSP 500	1 – 3	0,37	1 050 x 2 875 x 1 450	500	0,6
CSP 600	2 – 4	0,37	1 150 x 2 875 x 1 450	600	0,7
CSP 700	2 – 5	0,37	1 250 x 2 875 x 1 450	700	0,8
CSP 800	3 – 7	0,55	1 350 x 2 875 x 1 700	800	0,9
CSP 900	4 – 8	0,55	1 450 x 2 875 x 1 700	900	1,1
CSP 1000	6 – 10	0,75	1 550 x 2 875 x 1 700	1 000	1,3
CSP 1250	8 – 14	1,10	1 970 x 3 760 x 1 750	1 250	1,8
CSP 1500	12 – 18	1,50	2 220 x 3 800 x 1 800	1 500	2,2
CSP 2000	15 – 25	2,20	2 720 x 3 800 x 1 800	2 000	2,8

**WE PROVIDE WARRANTY AND POST-WARRANTY SERVICE.**

**VODACZ**

Headquarters:  
**VODA CZ, s. r. o.**  
 Bohuslava Martinů 1038/20  
 500 02 Hradec Králové  
 Pražské Předměstí

Plant:  
**VODA CZ, s. r. o.**  
 Hořenice 45  
 551 01 Jaroměř

Service:  
  
 www.vodaczservice.com

Contact:  
 e-mail: info@vodacz.com  
 Service:  
 phone: 800 150 155



[www.vodacz.com](http://www.vodacz.com)